

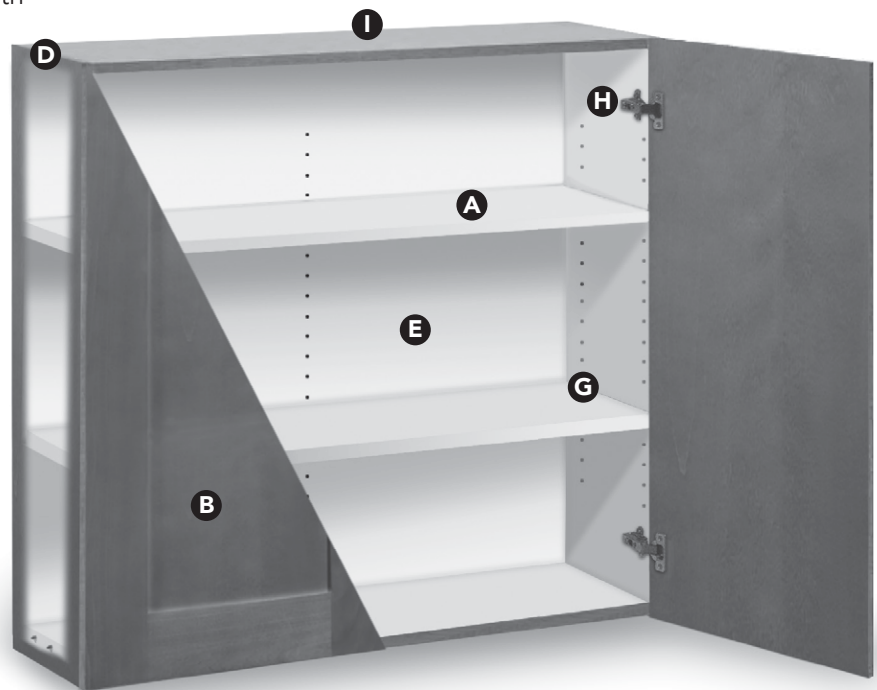
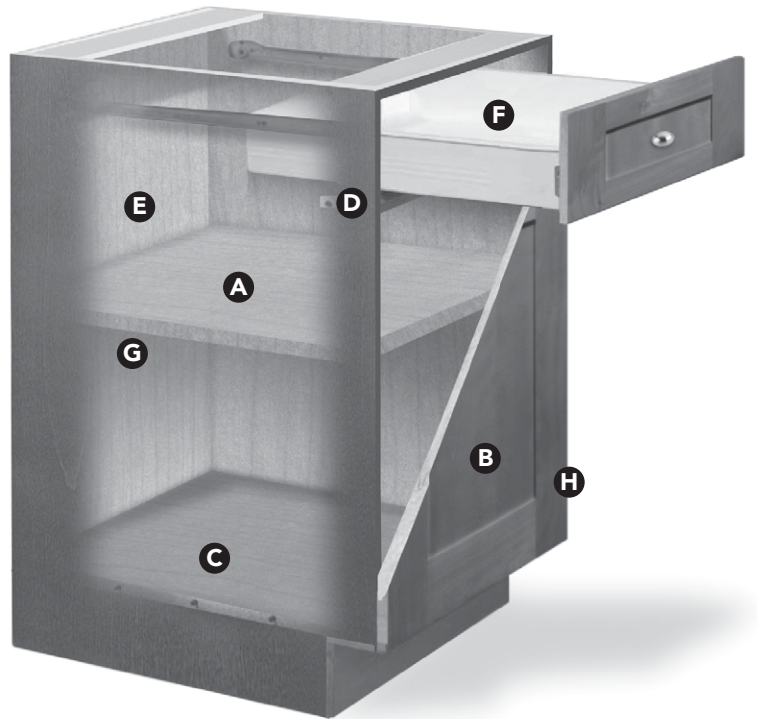
SPECIFICATIONS

ENVOY
CABINETRY

- A** 3/4" full depth adjustable shelves with routed shelf pins.
(Shelves = 2 1/2" backset from case on base & tall cabinets.
1" backset on wall cabinets)
- B** Full overlay doors
- C** 3/4" plywood or furniture board bottom and sides
- D** Glue and dowel construction
- E** 3/16" full captured back with 3/4" dowelled nail rails
- F** 3 options for drawer box
- G** Metal routed self locking shelf pins
- H** 6-way adjustable 110° hinge with soft close option
- I** 3/4" plywood or furniture board bottom, top and sides

Natural wood veneer interior with plywood case

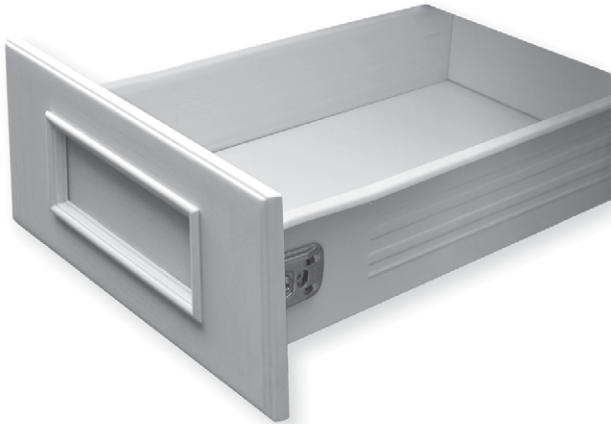
White melamine interior with furniture board case



Images are for illustration purposes only.

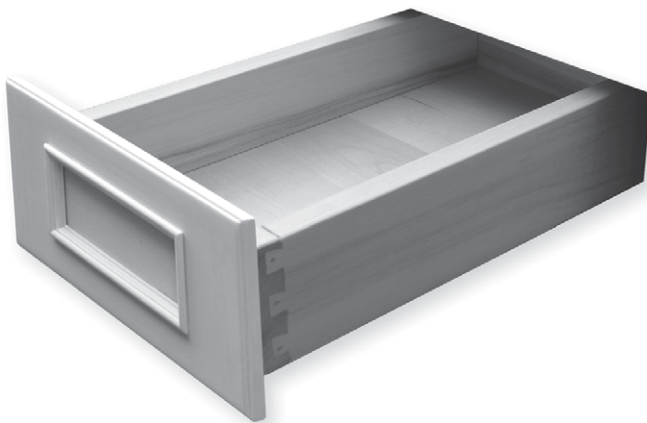
Drawer Options

Metal Drawer Box



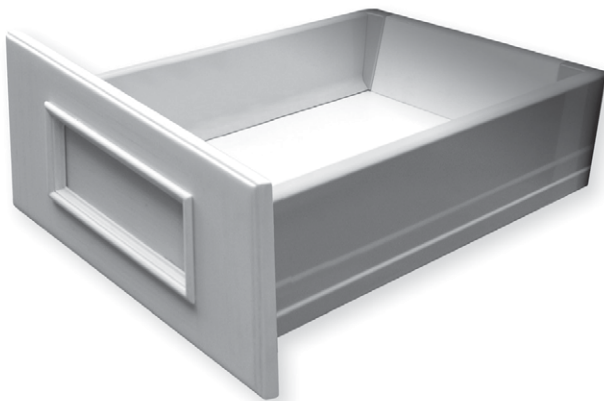
- Standard metal sides
- 5/8" melamine white bottom and back
- 75lb weight rating
- Epoxy glides, 22" deep, extends 18"

Soft Close Solid Wood Dovetail Drawer Box



- Sanded & clear finished dovetailed 3/4" hardwood box
- 1/4" plywood bottom
- 75lb weight rating
- Concealed full extension undermount soft closing glides

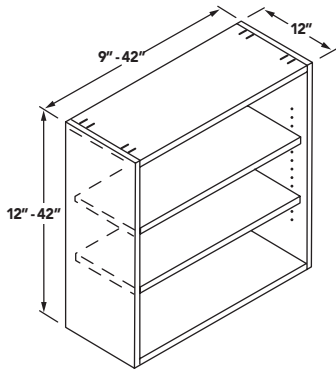
Soft Close Dual Metal Drawer Box



- Dual sided metal box
- 5/8" melamine white bottom and back
- 75lb weight rating
- Concealed full extension soft closing glides

General Cabinetry Construction

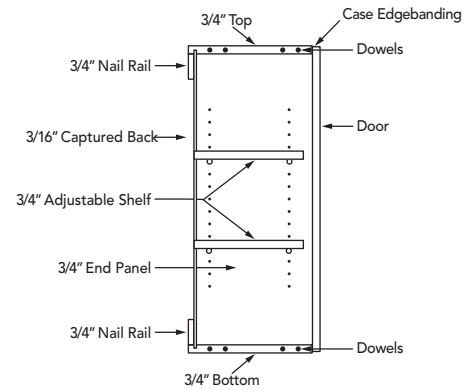
Typical Wall Cabinet



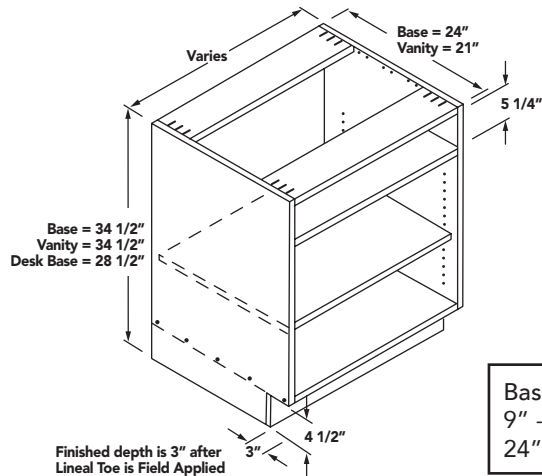
Wall Cabinet Widths:
 9" - 21" have one door.
 24" - 42" have two doors.

 39" & 42" high wall cabinets
 have 3 adjustable shelves.

Wall Cabinet Side View

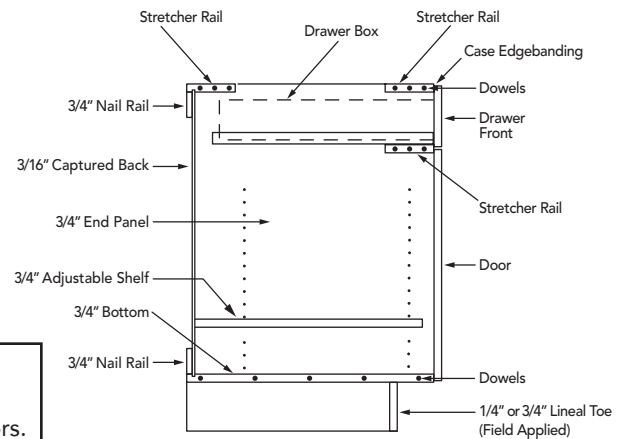


Typical Base or Vanity Cabinet

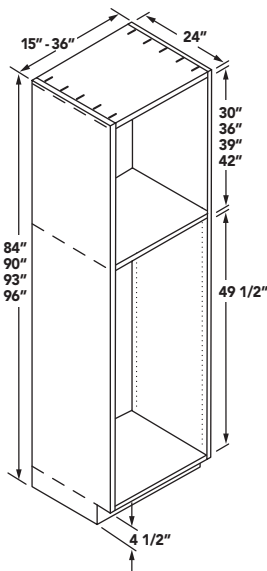


Base Cabinet Widths:
 9" - 21" have one door.
 24" - 42" have two doors.

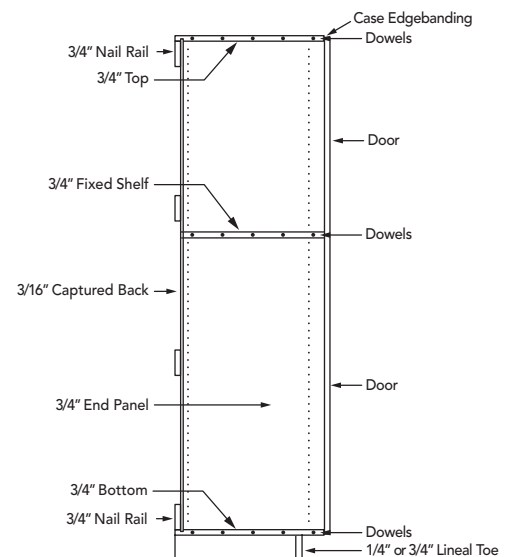
Base Cabinet Side View



Typical Tall Cabinet

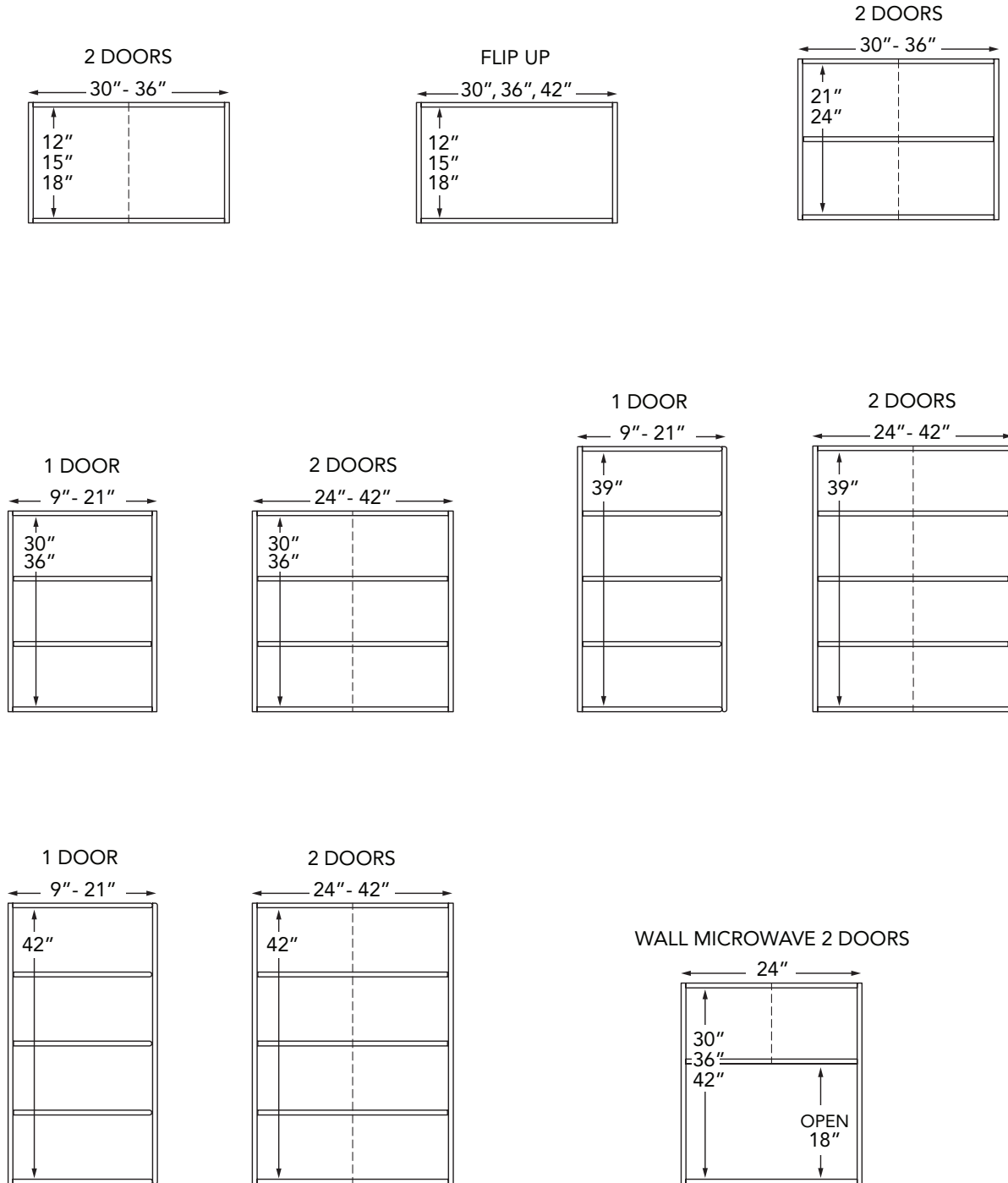


Tall Cabinet Side View



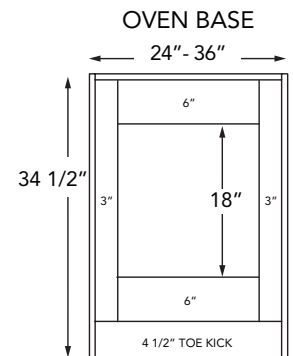
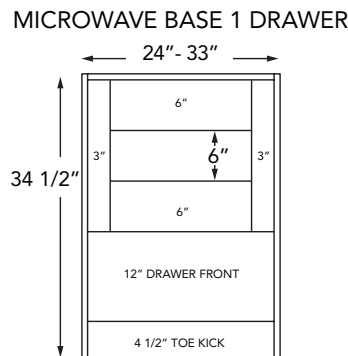
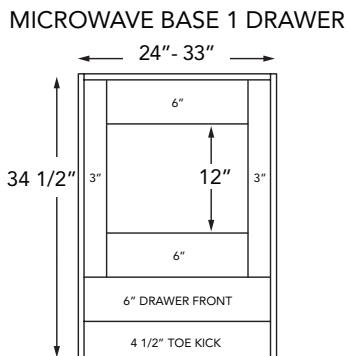
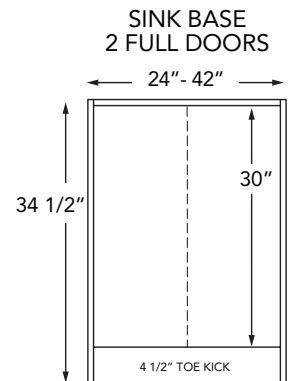
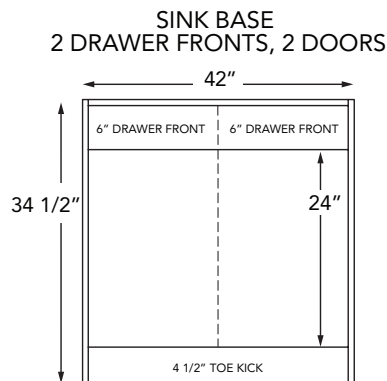
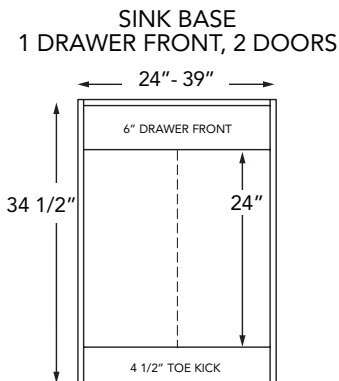
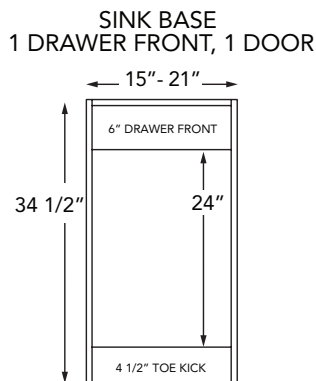
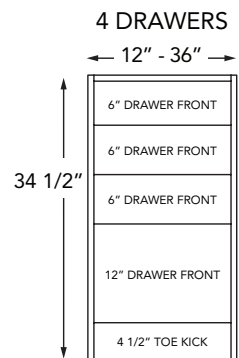
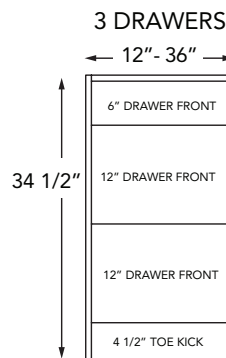
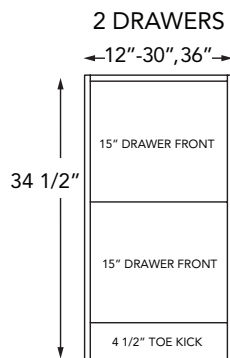
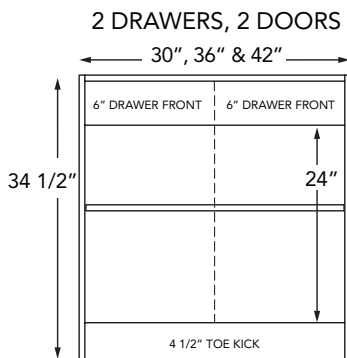
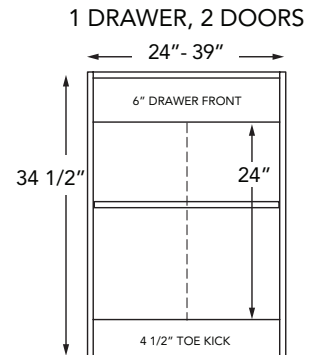
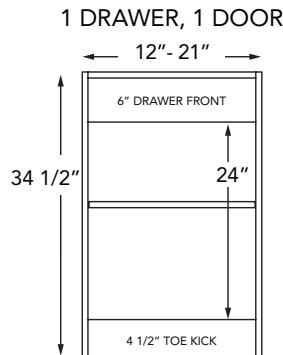
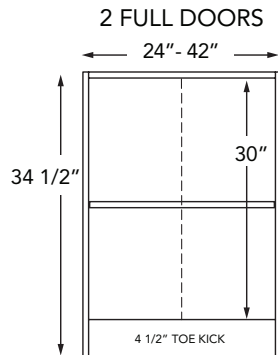
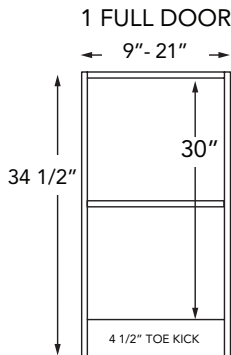
Cabinet Configuration

Wall Cabinets



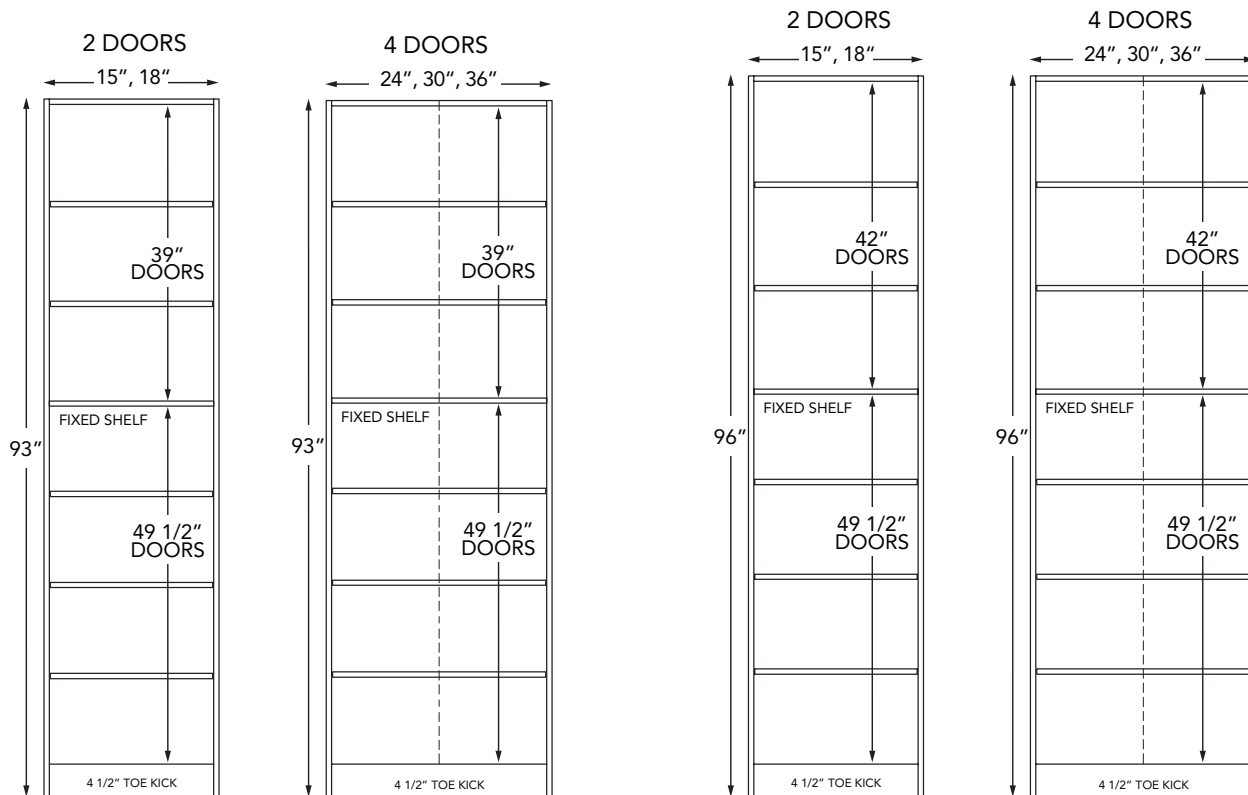
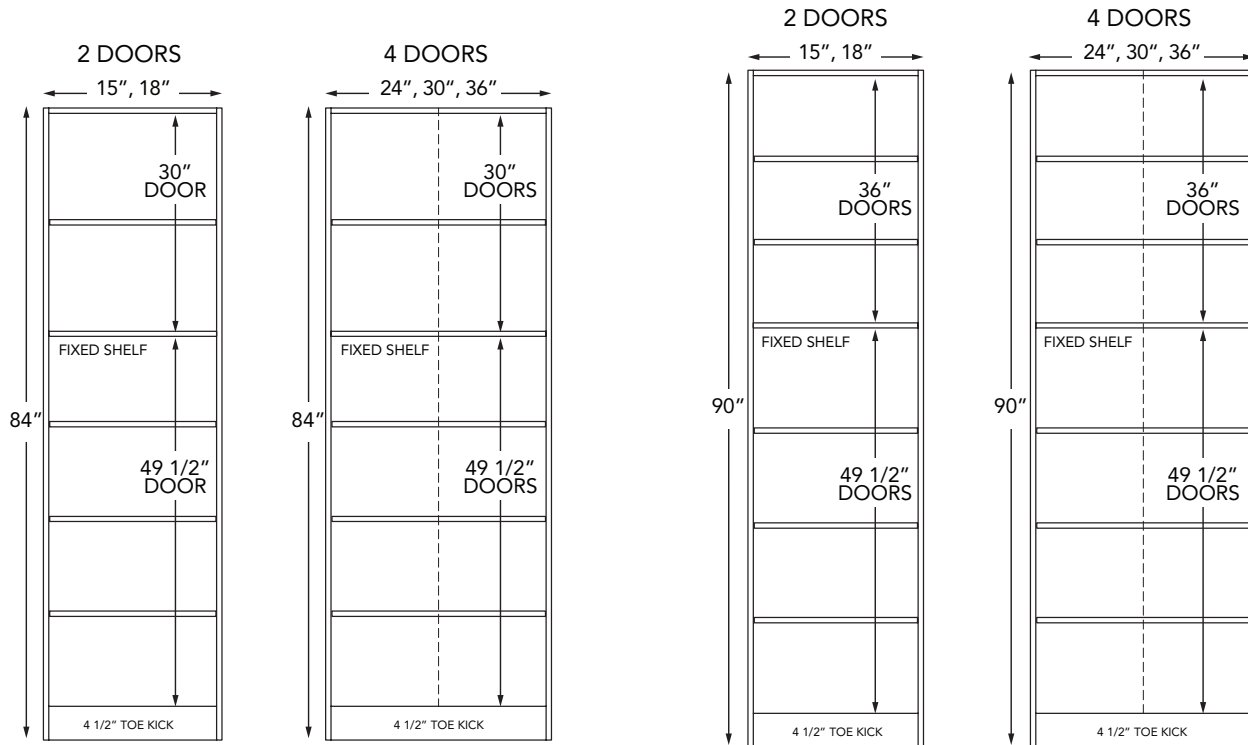
Cabinet Configuration

Base Cabinets



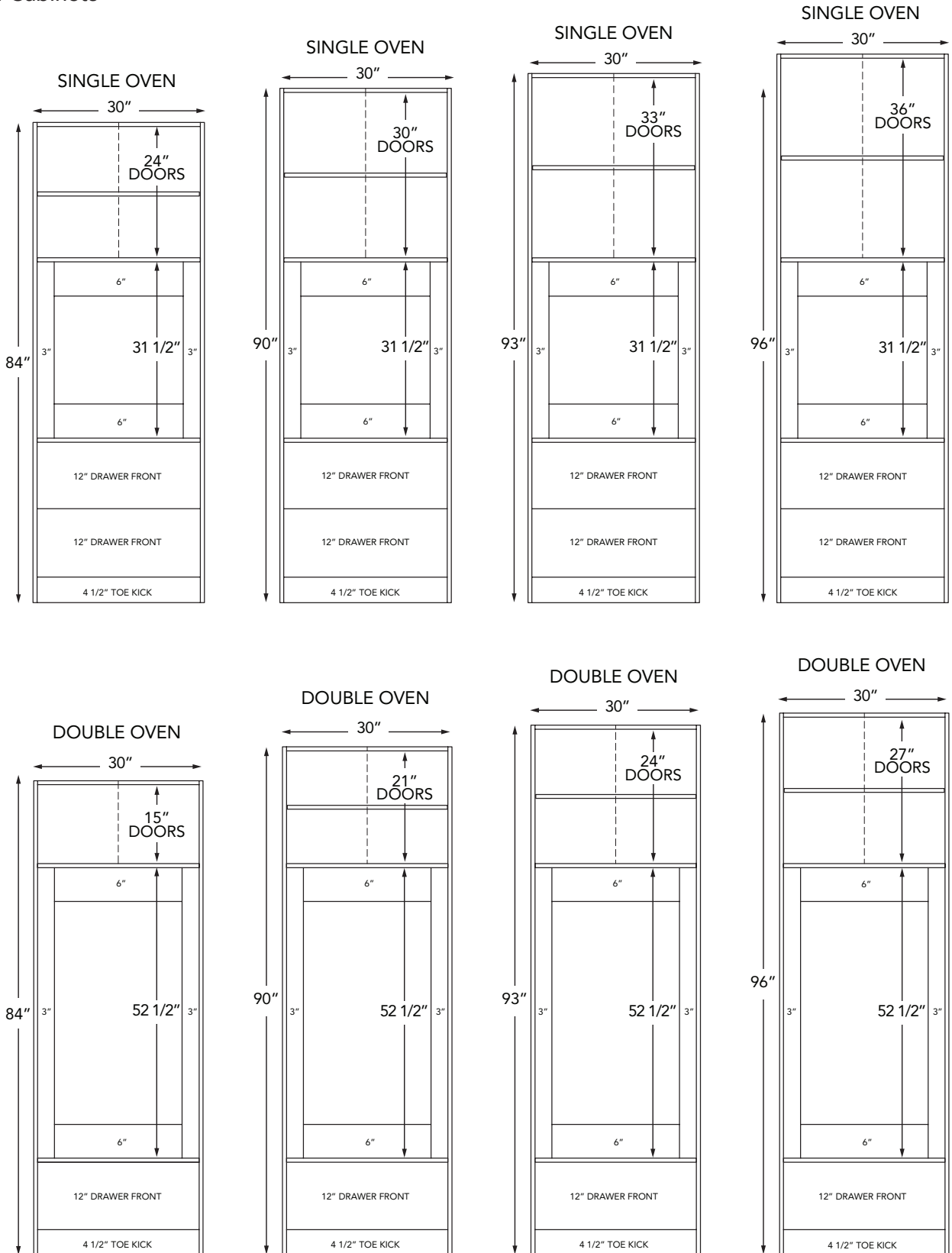
Cabinet Configuration

Tall Cabinets



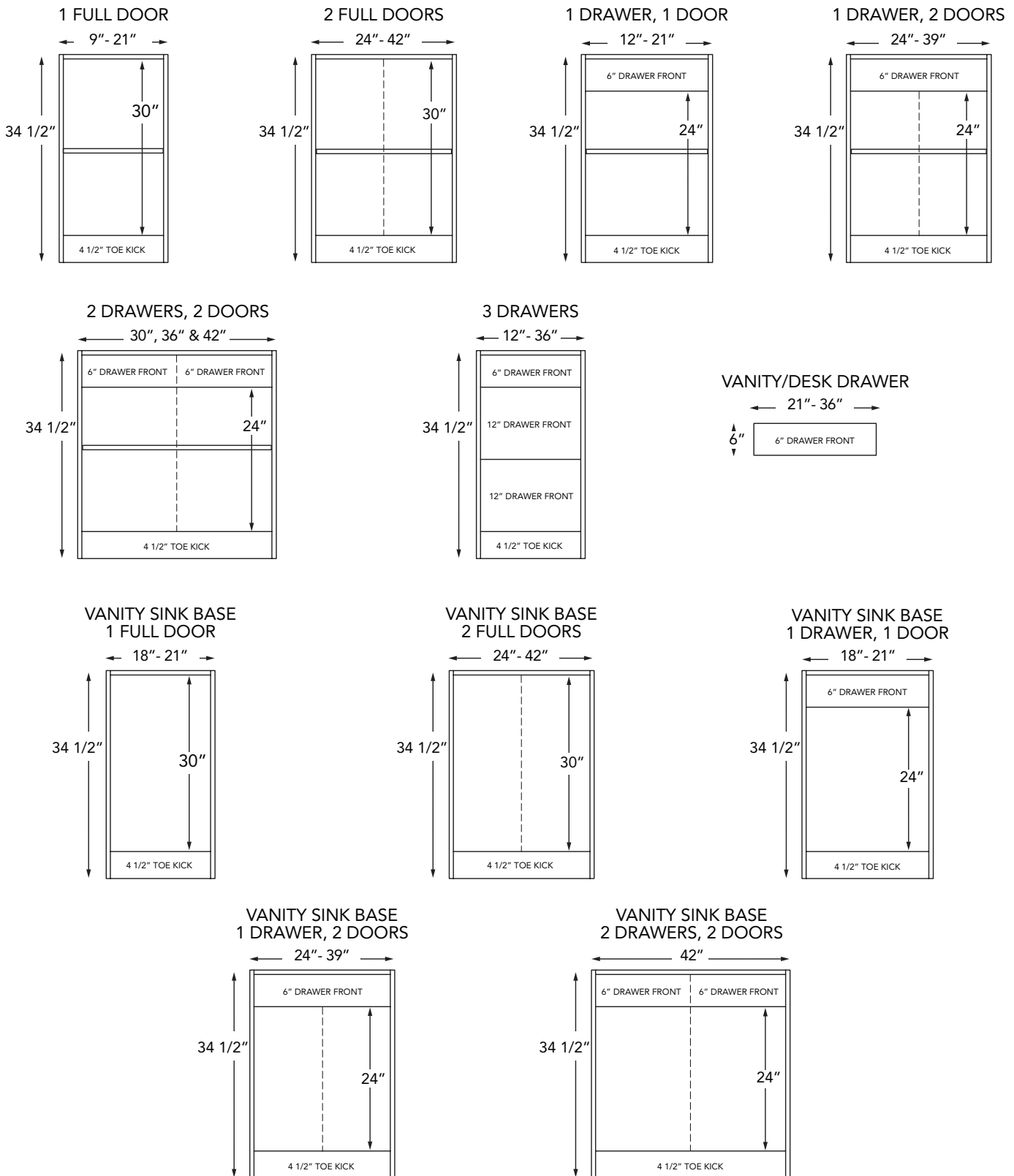
Cabinet Configuration

Tall Cabinets



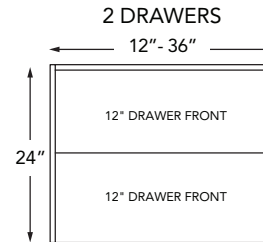
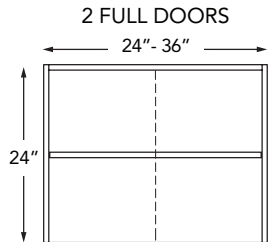
Cabinet Configuration

Vanity Base Cabinets



Cabinet Configuration

Vanity Base Floating Cabinets



Vanity Base Combination Cabinets

